

**067B4007** [🔗](#)**Valve body for expansion valve, TEH, Solder, ODF, Solder, ODF**

Direction: Straightway, Used for product: TE 5, Inlet connection type: Solder, ODF, Outlet connection type: Solder, ODF

PRODUCT DETAILS

Gross weight	0.318 Kg
Net weight	0.3 Kg
Volume	0.304 Liter
EAN	5702428321112
Approval	LLC CDC TYSK
Balanced port [Yes/No]	No
Body material	Brass
Connection material	Brass
Direction	Straightway
Flow direction	Single-flow
Flow direction indicator	Embossed 1-way arrow
In scope of WEEE and contain batteries	No
Inlet connection type	Solder, ODF
Inlet size [in]	1/2 in
Outlet connection type	Solder, ODF
Outlet size [in]	5/8 in
Packing format	Multi pack
Parts included	Screws Washers
Parts Program name	TE 5
Product accessories	TXV accessories
Product group	Expansion valves
Product Name Description	Valve body for expansion valve
Quantity per packing format	32 pc
REACH Candidate List substances	Lead (CAS no. 7439-92-1)
SCIP dossier no.	7a4717a2-7803-4273-9d94-59ccfb927c1e
SCIP dossier product name	TE
Serviceable	TXV spare parts
Type	TEH
Used for product	TE 5

For Documents, Software, Visuals and more information, please use this link to visit the product page on Danfoss Product Store [🔗](#)

For more information, please use this link to visit the product page on Danfoss Product Store [🔗](#)

Danfoss can accept no responsibility for possible errors in catalogs, brochures and other printed material. Danfoss reserves the right to alter its products without notice. This also applies to products already on order provided that such alterations can be made without sub-sequential changes being necessary in specifications already agreed. All trademarks in this material are property of the respective companies. Danfoss and the Danfoss logotype are trademarks of Danfoss A/S. All rights reserved.



Accessories



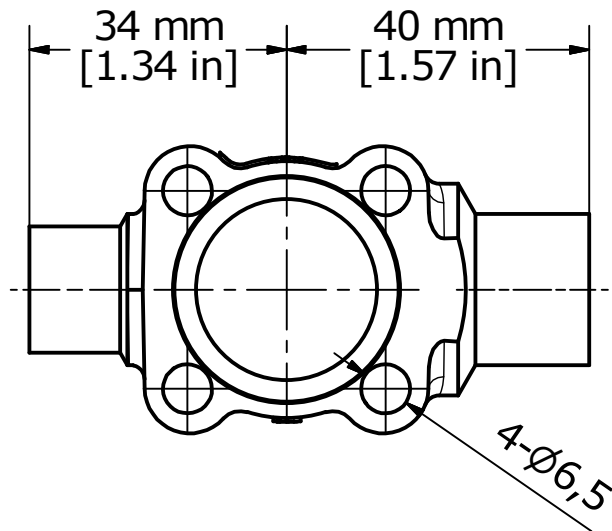
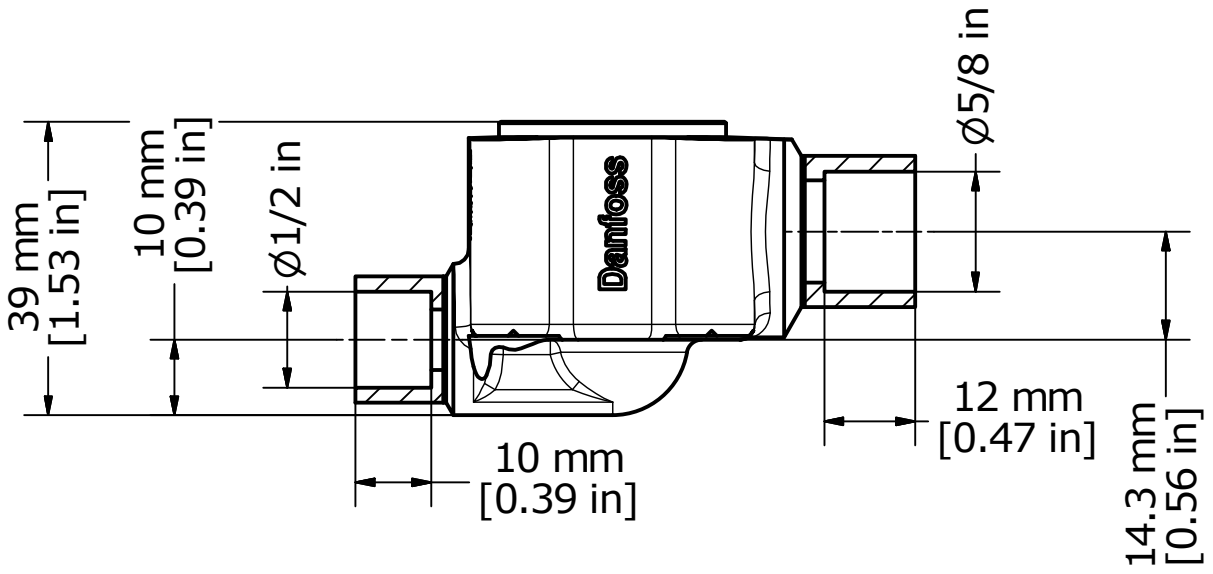
068B0018 [🔗](#)

Generic accessories, Accessory bag, Screws & washers

For more information, please use this link to visit the product page on Danfoss Product Store [🔗](#)

www.sabacol.ir

Danfoss can accept no responsibility for possible errors in catalogs, brochures and other printed material. Danfoss reserves the right to alter its products without notice. This also applies to products already on order provided that such alterations can be made without sub-sequential changes being necessary in specifications already agreed. All trademarks in this material are property of the respective companies. Danfoss and the Danfoss logotype are trademarks of Danfoss A/S. All rights reserved.



DIM067B4007-01