

**067B4022** [🔗](#)**Valve body for expansion valve, TEH, Solder, ODF, Solder, ODF**

Direction: Angleway, Used for product: TQ 12; TE 12, Inlet connection type: Solder, ODF, Outlet connection type: Solder, ODF

**PRODUCT DETAILS**

<b>Gross weight</b>	0.422 Kg
<b>Net weight</b>	0.4 Kg
<b>Volume</b>	0.31 Liter
<b>EAN</b>	5702428321235
<b>Approval</b>	LLC CDC TYSK
<b>Balanced port [Yes/No]</b>	No
<b>Body material</b>	Brass
<b>Connection material</b>	Brass
<b>Direction</b>	Angleway
<b>Flow direction</b>	Single-flow
<b>Flow direction indicator</b>	Embossed 1-way arrow
<b>In scope of WEEE and contain batteries</b>	No
<b>Inlet connection type</b>	Solder, ODF
<b>Inlet size [in]</b>	5/8 in
<b>Outlet connection type</b>	Solder, ODF
<b>Outlet size [in]</b>	7/8 in
<b>Packing format</b>	Multi pack
<b>Parts included</b>	Screws Washers
<b>Parts Program name</b>	TE 12 TQ 12
<b>Product accessories</b>	TXV accessories
<b>Product group</b>	Expansion valves
<b>Product Name Description</b>	Valve body for expansion valve
<b>Quantity per packing format</b>	32 pc
<b>REACH Candidate List substances</b>	Lead (CAS no. 7439-92-1)
<b>SCIP dossier no.</b>	7a4717a2-7803-4273-9d94-59ccfb927c1e
<b>SCIP dossier product name</b>	TE
<b>Serviceable</b>	TXV spare parts
<b>Type</b>	TEH
<b>Used for product</b>	TE 12 TQ 12

**For Documents, Software, Visuals and more information, please use this link to visit the product page on Danfoss Product Store** [🔗](#)

**For more information, please use this link to visit the product page on Danfoss Product Store** [🔗](#)

Danfoss can accept no responsibility for possible errors in catalogs, brochures and other printed material. Danfoss reserves the right to alter its products without notice. This also applies to products already on order provided that such alterations can be made without sub-sequential changes being necessary in specifications already agreed. All trademarks in this material are property of the respective companies. Danfoss and the Danfoss logotype are trademarks of Danfoss A/S. All rights reserved.



## Accessories

---



**068B0018** [🔗](#)

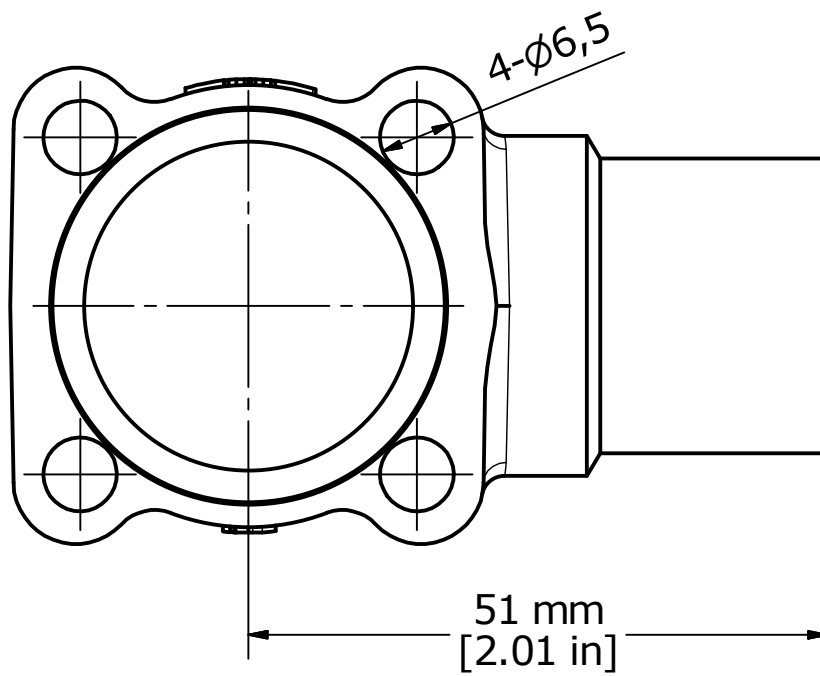
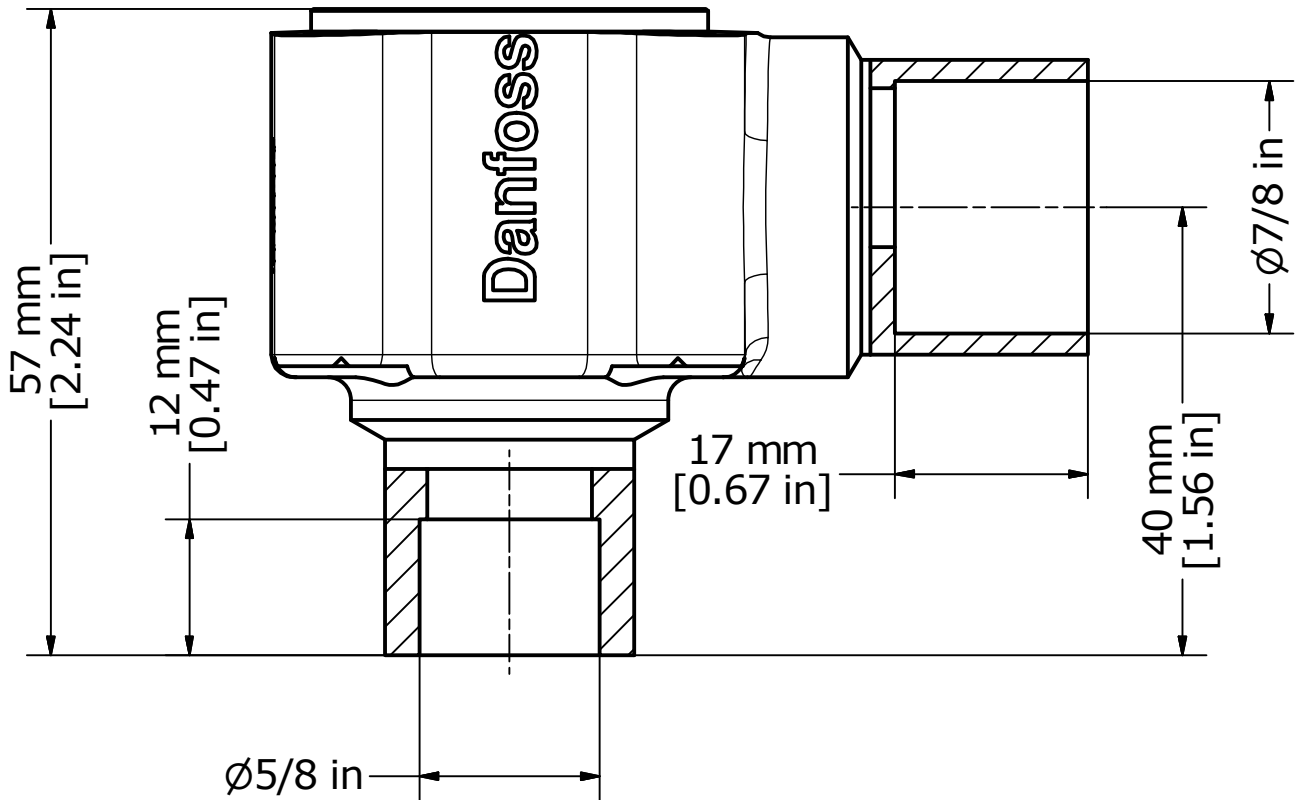
Generic accessories, Accessory bag, Screws & washers

---

**For more information, please use this link to visit the product page on Danfoss Product Store** [🔗](#)

[www.sabacool.ir](http://www.sabacool.ir)

Danfoss can accept no responsibility for possible errors in catalogs, brochures and other printed material. Danfoss reserves the right to alter its products without notice. This also applies to products already on order provided that such alterations can be made without sub-sequential changes being necessary in specifications already agreed. All trademarks in this material are property of the respective companies. Danfoss and the Danfoss logotype are trademarks of Danfoss A/S. All rights reserved.



DIM067B4022-01