

**067G3205****Element for expansion valve, TE 55, R22/R407C**

Temperature range [°C]: -40 - 10, Pressure equalization: Externally equalized

**PRODUCT DETAILS**

<b>Gross weight</b>	0.774 Kg
<b>Net weight</b>	0.68 Kg
<b>Volume</b>	2.09 Liter
<b>EAN</b>	5702428367257
<b>Approval</b>	EAC LLC CDC TYSK
<b>Body material</b>	Brass
<b>Capillary tube length [in]</b>	118 in
<b>Capillary tube length [mm]</b>	3000 mm
<b>Equalization connection type</b>	Flare
<b>Equalization size [in]</b>	1/4 in
<b>In scope of WEEE and contain batteries</b>	No
<b>Max. Working Pressure [bar]</b>	28 bar
<b>Max. Working Pressure [psig]</b>	400 psig
<b>Packing format</b>	Multi pack
<b>Parts included</b>	Bulb strap Gasket O-ring Key
<b>Parts Program name</b>	TE 55
<b>Pressure equalization</b>	Externally equalized
<b>Product accessories</b>	TXV accessories
<b>Product group</b>	Expansion valves
<b>Product Name Description</b>	Element for expansion valve
<b>Quantity per packing format</b>	9 pc
<b>REACH Candidate List substances</b>	Lead (CAS no. 7439-92-1)
<b>Refrigerants</b>	R22/R407C
<b>SCIP dossier no.</b>	7a4717a2-7803-4273-9d94-59ccfb927c1e
<b>SCIP dossier product name</b>	TE
<b>Serviceable</b>	TXV spare parts
<b>Superheat setting</b>	Adjustable
<b>Temperature range [°C] [max]</b>	10 °C
<b>Temperature range [°C] [min]</b>	-40 °C
<b>Temperature range [°F] [max]</b>	50 °F
<b>Temperature range [°F] [min]</b>	-40 °F
<b>Type</b>	TE 55
<b>Type designation</b>	Element



ENGINEERING  
TOMORROW



For Documents, Software, Visuals and more information, please use this link to visit the product page on Danfoss Product Store [🔗](#)

### Accessories



#### **067N0559** [🔗](#)

##### **Generic accessories, Spare Part For Bulb Strap L350mm I/40**

Spare Part For Bulb Strap L350mm I/40, Packing format: Industrial pack, Quantity per packing format: 40

### Spare Parts



#### **068G0050** [🔗](#)

##### **Spare part, TE 55, Seal kit**

Product Type: Spare part, Used for product: TE 55, Type designation: Seal kit, Seal kit

For more information, please use this link to visit the product page on Danfoss Product Store [🔗](#)

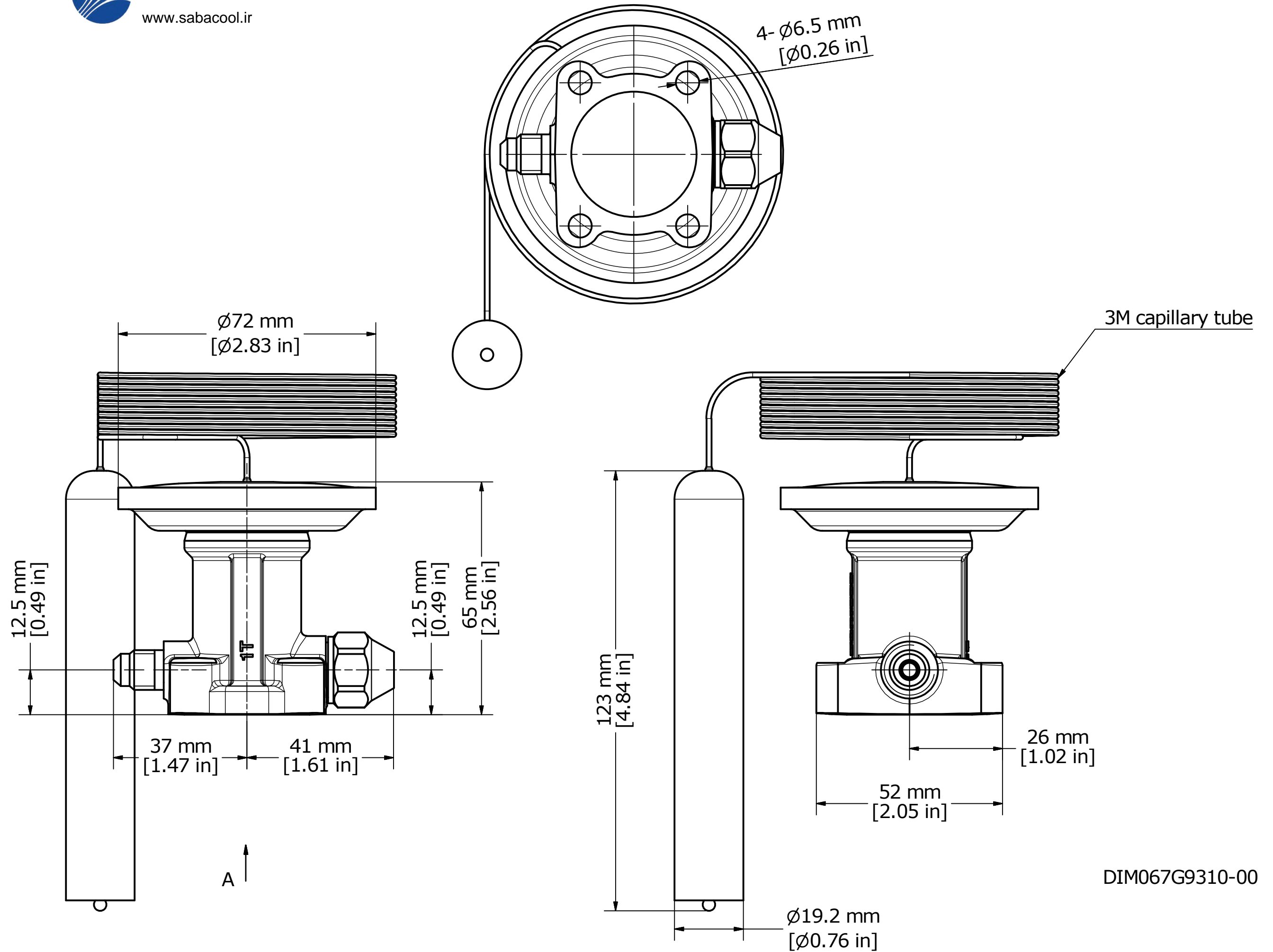
[www.sabacool.ir](http://www.sabacool.ir)

Danfoss can accept no responsibility for possible errors in catalogs, brochures and other printed material. Danfoss reserves the right to alter its products without notice. This also applies to products already on order provided that such alterations can be made without sub-sequential changes being necessary in specifications already agreed. All trademarks in this material are property of the respective companies. Danfoss and the Danfoss logotype are trademarks of Danfoss A/S. All rights reserved.



www.sabacool.ir

A (1:1)



DIM067G9310-00