

**067B3211****Element for expansion valve, TE 12, R22/R407C**

Temperature range [°C]: -60 - -25, MOP Point [°C]: -20, Pressure equalization:
Externally equalized

PRODUCT DETAILS

Gross weight	0.708 Kg
Net weight	0.56 Kg
Volume	2.25 Liter
EAN	5702428149211
Approval	EAC LLC CDC TYSK
Body material	Brass
Capillary tube length [in]	118 in
Capillary tube length [mm]	3000 mm
Equalization connection type	Flare
Equalization size [in]	1/4 in
In scope of WEEE and contain batteries	No
Max. Working Pressure [bar]	28 bar
Max. Working Pressure [psig]	400 psig
MOP Point [psig]	MOP 20
MOP Point [°C]	-20 °C
MOP Point [°F]	-5 °F
Packing format	Multi pack
Parts Program name	TE 12
Pressure equalization	Externally equalized
Product group	Expansion valves
Product Name Description	Element for expansion valve
Quantity per packing format	9 pc
REACH Candidate List substances	Lead (CAS no. 7439-92-1)
Refrigerants	R22/R407C
SCIP dossier no.	7a4717a2-7803-4273-9d94-59ccfb927c1e
SCIP dossier product name	TE
Temperature range [°C] [max]	-25 °C
Temperature range [°C] [min]	-60 °C
Temperature range [°F] [max]	-15 °F
Temperature range [°F] [min]	-75 °F
Type	TE 12
Type designation	Element

For Documents, Software, Visuals and more information, please use this link to visit the product page on Danfoss Product Store

www.sabacool.ir

For more information, please use this link to visit the product page on Danfoss Product Store

Danfoss can accept no responsibility for possible errors in catalogs, brochures and other printed material. Danfoss reserves the right to alter its products without notice. This also applies to products already on order provided that such alterations can be made without sub-sequential changes being necessary in specifications already agreed. All trademarks in this material are property of the respective companies. Danfoss and the Danfoss logotype are trademarks of Danfoss A/S. All rights reserved.



Accessories



067N0557 [🔗](#)

Generic accessories, Spare Part Bulb Strap L225mm I/40

Spare Part Bulb Strap L225mm I/40, Packing format: Industrial pack, Quantity per packing format: 40



068U3506 [🔗](#)

TXV accessories, Accessory 0.4mm bulb strap I/45

Accessory 0.4mm bulb strap I/45, Packing format: Industrial pack, Quantity per packing format: 45



068U3508 [🔗](#)

TXV accessories, Accessory bag with long Bulb strap M/45

Accessory bag with long Bulb strap M/45, Packing format: Multi pack, Quantity per packing format: 45

Spare Parts



068B0676 [🔗](#)

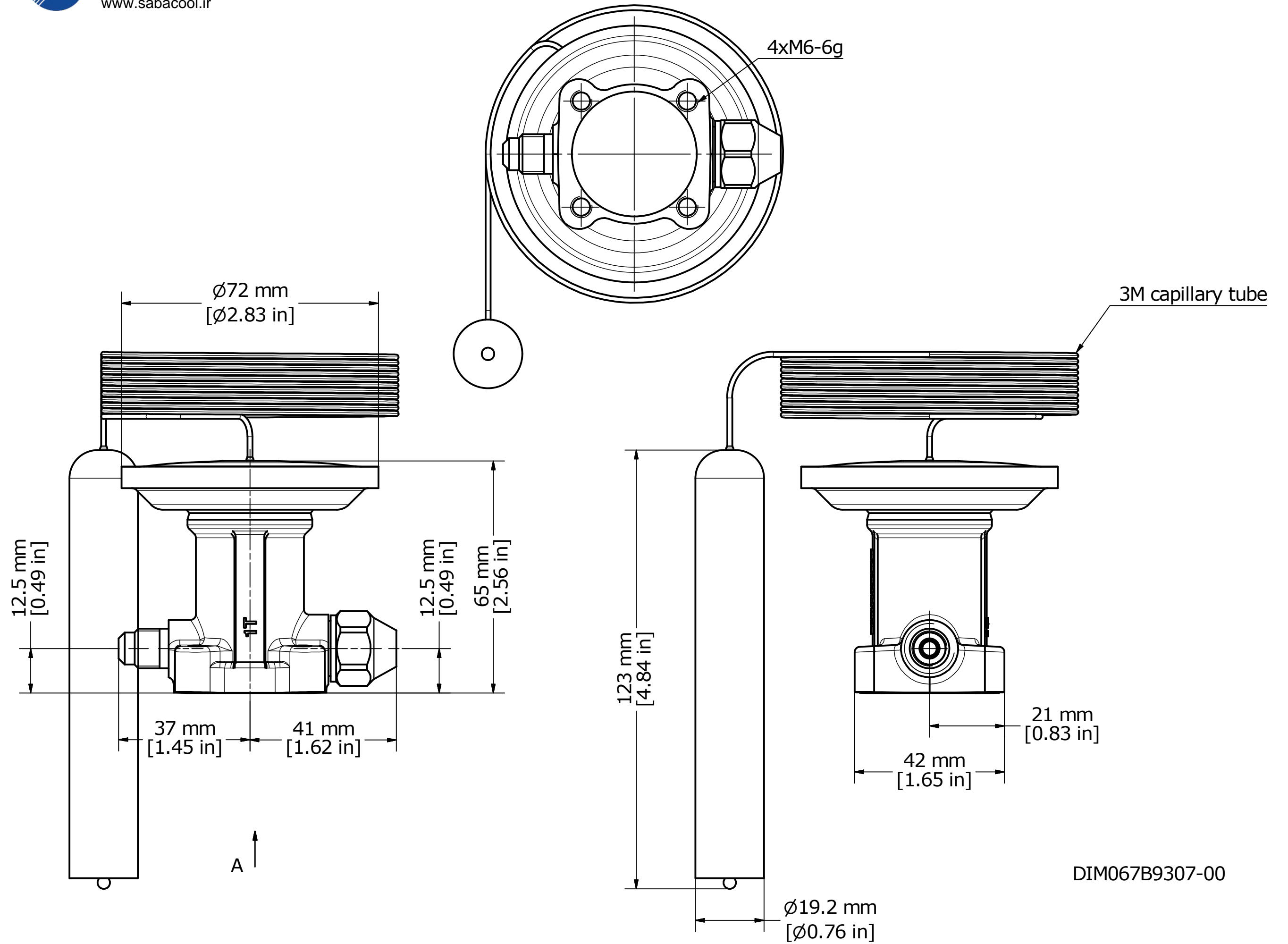
Generic accessories, Accessory bag, Seal kit

For more information, please use this link to visit the product page on Danfoss Product Store [🔗](#)

Danfoss can accept no responsibility for possible errors in catalogs, brochures and other printed material. Danfoss reserves the right to alter its products without notice. This also applies to products already on order provided that such alterations can be made without sub-sequential changes being necessary in specifications already agreed. All trademarks in this material are property of the respective companies. Danfoss and the Danfoss logotype are trademarks of Danfoss A/S. All rights reserved.



A (1 : 1)



DIM067B9307-00