

**067G3302****Element for expansion valve, TE 55, R404A/R507A**

Temperature range [°C]: -40 - 10, Pressure equalization: Externally equalized

**PRODUCT DETAILS**

Gross weight	0.778 Kg
Net weight	0.68 Kg
Volume	2.114 Liter
EAN	5702428322324
Approval	EAC LLC CDC TYSK
Body material	Brass
Capillary tube length [in]	118 in
Capillary tube length [mm]	3000 mm
Equalization connection type	Flare
Equalization size [in]	1/4 in
In scope of WEEE and contain batteries	No
Max. Working Pressure [bar]	28 bar
Max. Working Pressure [psig]	400 psig
Packing format	Multi pack
Parts included	Bulb strap Gasket O-ring Key
Parts Program name	TE 55
Pressure equalization	Externally equalized
Product accessories	TXV accessories
Product group	Expansion valves
Product Name Description	Element for expansion valve
Quantity per packing format	9 pc
REACH Candidate List substances	Lead (CAS no. 7439-92-1)
Refrigerants	R404A/R507A
SCIP dossier no.	7a4717a2-7803-4273-9d94-59ccfb927c1e
SCIP dossier product name	TE
Serviceable	TXV spare parts
Superheat setting	Adjustable
Temperature range [°C] [max]	10 °C
Temperature range [°C] [min]	-40 °C
Temperature range [°F] [max]	50 °F
Temperature range [°F] [min]	-40 °F
Type	TE 55
Type designation	Element



ENGINEERING
TOMORROW



Product Detail | Element for expansion valve, TE 55, R404A/R507A

For Documents, Software, Visuals and more information, please use this link to visit the product page on Danfoss Product Store [🔗](#)

Accessories



067N0559 [🔗](#)

Generic accessories, Spare Part For Bulb Strap L350mm I/40

Spare Part For Bulb Strap L350mm I/40, Packing format: Industrial pack, Quantity per packing format: 40

Spare Parts



068G0050 [🔗](#)

Spare part, TE 55, Seal kit

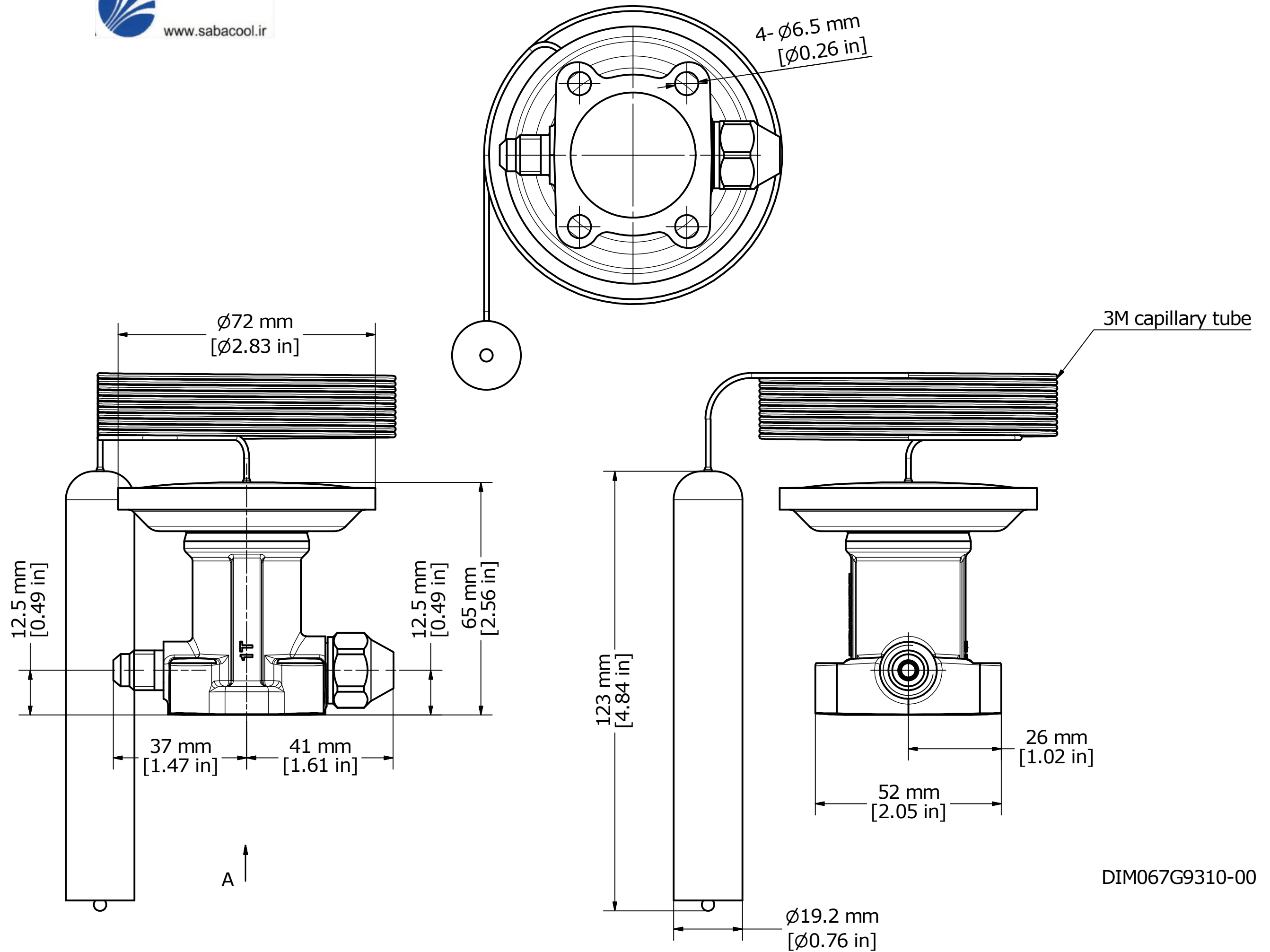
Product Type: Spare part, Used for product: TE 55, Type designation: Seal kit, Seal kit

For more information, please use this link to visit the product page on Danfoss Product Store [🔗](#)

www.sabacool.ir

Danfoss can accept no responsibility for possible errors in catalogs, brochures and other printed material. Danfoss reserves the right to alter its products without notice. This also applies to products already on order provided that such alterations can be made without sub-sequential changes being necessary in specifications already agreed. All trademarks in this material are property of the respective companies. Danfoss and the Danfoss logotype are trademarks of Danfoss A/S. All rights reserved.

A (1:1)



DIM067G9310-00