



## Selection: Semi-hermetic Reciprocating Compressors

### Input Values

Compressor model Mode	6JE-33Y Refrigeration and Air conditioning	Suction gas temperature Operating mode	20/00 °C Auto
Refrigerant	R404A	Power supply	400V-3-50Hz
Reference temperature	Dew point temp.	Capacity control	100%
Liq. subc. (in condenser)	0 K	Useful superheat	100%

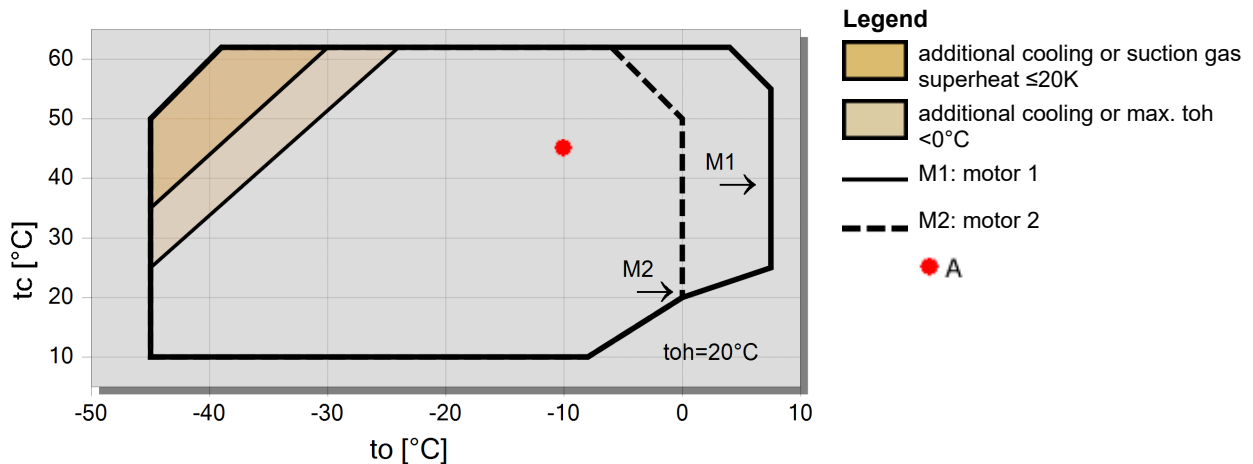
### Result

Q [W]	Cooling capacity	COP [ - ]	COP/EER
Qu* [W]	Evaporator capacity	m [kg/h]	Mass flow
P [kW]	Power input	Op.	Operating mode
I [A]	Current	th [°C]	Discharge gas temp. w/o cooling
Qc [W]	Condenser capacity		

tc	to	0°C	-5°C	-10°C	-15°C	-20°C	-25°C	-30°C	-35°C
30°C	Q [W]	90980	75500	62087	50498	40524	31986	24721	18585
	Qu* [W]	90980	75500	62087	50498	40524	31986	24721	18585
	P [kW]	18/63	18/00	17/10	15/96	14/64	13/18	11/63	10/02
	I [A]	35/8	34/9	33/8	32/4	30/8	29/1	27/5	25/9
	Qc [W]	109608	93501	79184	66460	55166	45167	36347	28607
	COP [ - ]	4/88	4/19	3/63	3/16	2/77	2/43	2/13	1/85
	m [kg/h]	2313	1897	1544	1246	993	779	599	448
	Op.	Standard	Standard	Standard	Standard	Standard	Standard	Standard	Standard
	th [°C]	60/8	66/9	73/4	80/3	87/7	95/7	104/6	114/9
	40°C	Q [W]	77778	64248	52514	42377	33664	26222	19914
Qu* [W]		77778	64248	52514	42377	33664	26222	19914	14613
P [kW]		21/8	20/6	19/19	17/56	15/80	13/93	12/00	10/06
I [A]		40/1	38/5	36/5	34/4	32/2	30/0	27/9	26/0
Qc [W]		99594	84867	71701	59942	49460	40149	31914	24676
COP [ - ]		3/57	3/12	2/74	2/41	2/13	1/88	1/66	1/45
m [kg/h]		2231	1819	1470	1175	926	717	541	395
Op.		Standard	Standard	Standard	Standard	Standard	Standard	Standard	Standard
th [°C]		71/3	77/6	84/2	91/3	98/9	107/3	116/8	127/9
50°C		Q [W]	64263	52783	42815	34205	26816	20524	15215
	Qu* [W]	64263	52783	42815	34205	26816	20524	15215	10782
	P [kW]	24/4	22/7	20/8	18/70	16/51	14/25	11/97	9/72
	I [A]	43/9	41/4	38/7	35/9	33/0	30/3	27/8	25/7
	Qc [W]	88697	75489	63593	52902	43322	34774	27186	20499
	COP [ - ]	2/63	2/32	2/06	1/83	1/62	1/44	1/27	1/11
	m [kg/h]	2140	1731	1386	1095	851	646	476	336
	Op.	Standard	Standard	Standard	Standard	Standard	Standard	Standard	Standard
	th [°C]	81/9	88/3	95/1	102/4	110/4	119/4	129/7	0

-- No calculation possible (see message in single point selection)  
 \*According to EN12900 (20°C suction gas temp., 0K liquid subcooling)

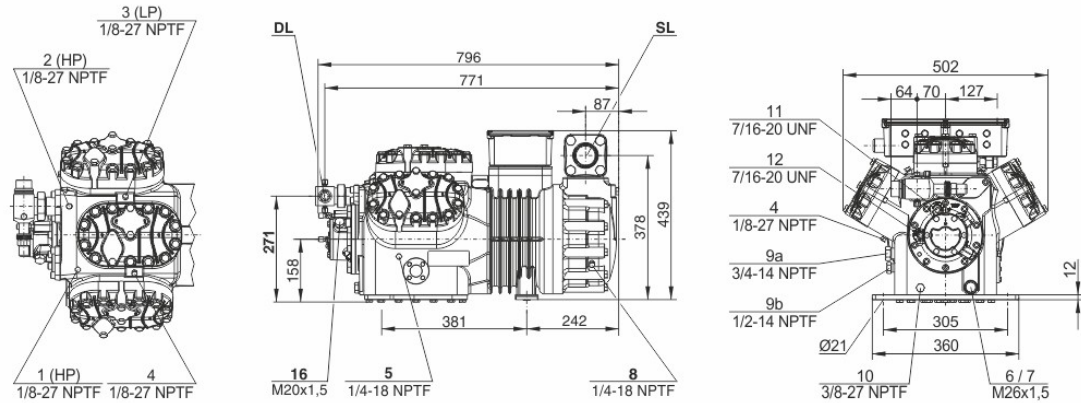
### Application Limits 100% 6JE-33





## Technical Data: 6JE-33Y

### Dimensions and Connections



### Technical Data

#### Technical Data

Displacement (1450 RPM 50Hz)	95,3 m <sup>3</sup> /h
Displacement (1750 RPM 60Hz)	115,02 m <sup>3</sup> /h
No. of cylinder x bore x stroke	6 x 65 mm x 55 mm
Weight	244 kg
Max. pressure (LP/HP)	19 / 32 bar
Connection suction line	54 mm - 2 1/8"
Connection discharge line	35 mm - 1 3/8"
Oil type R134a/R407C/R404A/R507A/R407A/R407F	BSE32(Standard)   R134a tc>70°C: BSE55 (Option)
Oil type R22 (R12/R502)	B5.2(Option)
Oil type R1234yf	BSE32 (Standard)   R1234yf tc>70°C : BSE55 (Option)
Oil type R1234ze	BSE55 (Standard)   to>15°C: BSE85K (Option)   tc>70°C: BSE85K (Option)
Ölfüllung R454C/R455A	BSE32 (Standard)

#### Motor data

Motor version	1
Motor voltage (more on request)	380-420V PW-3-50Hz
Max operating current	53.2 A
Winding ratio	50/50
Starting current (Rotor locked)	165.0 A Y / 275.0 A YY
Max. Power input	30/0 kW

#### Extent of delivery (Standard)

Motor protection	SE-B3(Standard), SE-B2(Option), CM-RC-01(Option)
Enclosure class	IP54 (Standard), IP66 (Option)
Vibration dampers	Standard
Oil charge	4,75 dm <sup>3</sup>
Discharge shut-off valve	Standard
Suction shut-off valve	Standard

#### Available Options

Discharge gas temperature sensor	Option
Start unloading	Option
Capacity control	100-66-33% (Option)
Capacity Control - infinite	100-10% (Option)
Additional fan	Option
Oil service valve	Option
Crankcase heater	140 W (Option)
Oil pressure monitoring	MP54 (Option), Delta-PII

#### Sound measurement

Sound power level (+5°C / 50°C)	79,9 dB(A) @50Hz
Sound power level (-10°C / 45°C)	79,3 dB(A) @50Hz
Sound power level (-35°C / 40°C)	85,0 dB(A) @50Hz
Sound pressure level @ 1m (+5°C / 50°C)	71,9 dB(A) @50Hz
Sound pressure level @ 1m (-10°C / 45°C)	71,3 dB(A) @50Hz
Sound pressure level @ 1m (-35°C / 40°C)	77 dB(A) @50Hz
Sound power level (+5°C / 50°C) R134a	77,9 dB(A) @50Hz
Sound power level (-10°C / 45°C) R134a	77,3 dB(A) @50Hz



*Sarma Takhiz Saba*  
*Bitzer: 6J-33.2*  
*09128869515-09028869515*

BITZER Software v6.17.8 rev2725

23/07/1401 / All data subject to change.

3 / 10

Sound pressure level @ 1m (+5°C / 50°C) R134a  
Sound pressure level @ 1m (-10°C / 45°C) R134a

69,9 dB(A) @50Hz  
69,3 dB(A) @50Hz



## Semi-hermetic Reciprocating Compressors

**Motor 1** = e.g. 4TES-12 with 12 "HP", primary for air-conditioning (e.g. R22,R407C) and air-conditioning with R134a at high ambient temperatures.

**Motor 2** = e.g. 4TES-9 with 8 "HP", universal Motor for medium and low temperature application (e.g. R404A, R507A, R407A, R407F) and air-conditioning with R134a

**Motor 3** = e.g. 4TES-8, for medium temperature applications and R134a

For more information concerning the application range use the "Limits" button.

### Operation modes 4VES-7 to 6FE-44 and 44JE-30 to 66FE-88 with R407F/R407A/R22

CIC = liquid injection with low temperature application, suction gas cooled motor.

### ASERCOM certified performance data

The Association of European Refrigeration Component Manufacturers has implemented a procedure of certifying performance data. The high standard of these certifications is assured by:

- \* plausibility tests of the data performed by experts.
- \* regular measurements at independent institutes.

These high efforts result in the fact that only a limited number of compressors can be submitted. Due to this not all BITZER compressors are certified until now. Performance data of compressors which fulfil the strict requirements may carry the label "ASERCOM certified". In this software you will find the label at the respective compressors on the right side below the field "result" or in the print out of the performance data. All certified compressors and further information are listed on the homepage of ASERCOM.

### Condensing capacity

The condensing capacity can be calculated with or without heat rejection. This option can be set in the menu Program  Options. The heat rejection is constantly 5 % of the power consumption. The condensing capacity is to be found in the line Condensing cap. (with HR) resp. Condensing capacity.

### Data for sound emission

Data based on 50 HZ application (IP-units 60 Hz) and R404A if not declared.

Sound pressure level: values based on free field area conditions with hemispherical sound emission in 1 meter distance.

### General remarks regarding sound data

Listed sound data were measured under testing conditions in our laboratory. For this purpose the free-standing test sample is mounted on a solid foundation plate and the pipework is connected vibration-free to the largest extent possible. Suction and discharge lines are fixed in a flexible configuration, such that a transmission of vibrations to the environment can be largely excluded. In real installations considerable differences might be observed, compared to the measurements in the laboratory. The airborne sound emitted by the compressor can be reflected from surfaces of the system and this may increase the airborne sound level measured close to the compressor. Vibrations caused by the compressor are also transferred to the system by the compressor feet and piping depending on the damping ratio of the fixings. Thus, the vibrations can induce other components to such an extent that these components contribute to an increase in airborne sound emission. If required, the transfer of vibrations to the system can be minimized by suitable fixing and damping elements.

### Legend of connection positions according to "Dimensions":

- 1 High pressure connection (HP)
- 2 Connection for discharge gas temperature sensor (HP) (for 4VE(S)-6Y .. 4NE(S)-20(Y) connection for CIC sensor as alternative)
- 3 Low pressure connection (LP)
- 4 CIC system: injection nozzle (LP)
- 4b Connection for CIC sensor
- 4c Connection for CIC sensor (MP / operation with liquid subcooler)
- 5 Oil fill plug
- 6 Oil drain
- 7 Oil filter (magnetic screw)
- 8 Oil return (oil separator)
- 8\* Oil return with NH3 and insoluble oil
- 9 Connection for oil and gas equalization (parallel operation)
- 9a Connection for gas equalization (parallel operation)
- 9b Connection for oil equalization (parallel operation)
- 10 Oil heater connection
- 11 Oil pressure connection +
- 12 Oil pressure connection -
- 13 Cooling water connection
- 14 Intermediate pressure connection (MP)
- 15 Liquid injection (operation without liquid subcooler and with thermostatic expansion valve)
- 16 Connection for oil monitoring (opto-electrical oil monitoring "OLC-K1" or differential oil pressure switch "Delta-PII")



*Sarma Tajhiz Saba*  
*Bitzer: 6J-33.2*  
*09128869515-09028869515*

BITZER Software v6.17.8 rev2725

23/07/1401 / All data subject to change.

5 / 10

- 17 Refrigerant inlet at liquid subcooler
  - 18 Refrigerant outlet at liquid subcooler
  - 19 Clamp space
  - 20 Terminal plate
  - 21 Maintenance connection for oil valve
  - 22 Pressure relief valve to the atmosphere (discharge side)
  - 23 Pressure relief valve to the atmosphere (suction side)
  - 24 IQ MODULE
  - SL Suction gas line
  - DL Discharge gas line
- Dimensions can show tolerances according to EN ISO 13920-B.



Sarma Tajhiz Saba  
Bitzer: 6J-33.2  
09128869515-09028869515

BITZER Software v6.17.8 rev2725

23/07/1401 / All data subject to change.

6 / 10

## Selection: Horizontal receivers

### Input Values

Common	Yes
Auto	
Operating point	Auto

### Operating Points

	<b>A</b>
to [°C]	-10
tc [°C]	45

### Result



Selection of the receivers:

1) "Approx. according to cooling capacity":

The receiver volume is determined by the design of the unit, the operating mode and the function of the receiver (receiving the complete refrigerant charge in the receiver or only compensating capacity variations). When selected via cooling capacity, an approximate selection of the receiver is obtained. Receivers in systems with long pipelines, winter control or in very compact systems should be selected according to method 2).

2) "According to refrigerant charge in the receiver":

The calculation is made on the basis of the specified refrigerant charge. The receiver volume is determined at 20°C and at a maximum filling charge of 95% of the possible receiver content.

Compressor units equipped with receiver

The BITZER range of products comprises compressor units with horizontal receivers. In the output window of the accessories these units, which are included in the standard delivery, are marked with "mounted" in the compressor unit line. Units that can be mounted, but are not included in the Bitzer delivery program, are marked with "single parts". Units in which the compressor does not fit onto the receiver are marked with "--".



Sarma Tajhiz Saba  
Bitzer: 6J-33.2  
09128869515-09028869515

## Selection: IQ MODULE

### Result

Quantit	Selection	Extent of Delivery	Functionality
1	CM-RC-01 Basis Package for 4JE-13 .. 6FE-50	CM-RC-01 mounted in the extension terminal box with all actuators and sensors wired	Data logging of operating conditions, compressor start function (contactors), Modbus communication, Bluetooth
		Motor temperature sensor (PTC)	Motor overheat protection
		Discharge gas temperature sensor (PT1000)	Compressor discharge temperature protection and recording
		Oil pressure sensor (DP-1)	Oil pressure monitoring and recording
		Crankcase heater	Automated oil heater control
1	VARISTEP valve for 4JE-13 .. 6FE-50	VARISTEP solenoid valve with coil mounted and wired	Automated and quasi stepless capacity adaptation between 50 and 100% (0..10V Input). 2 x VARISTEP: 33..66..100%. See also KT-101.
1	SU valve for 4JE-13 .. 6FE-50	SU solenoid valve with coil mounted and wired	Unloading of the compressor for reduced starting current and torque

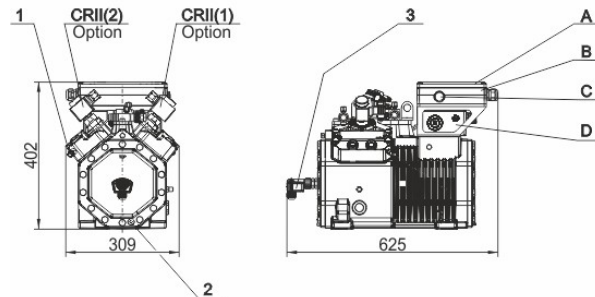




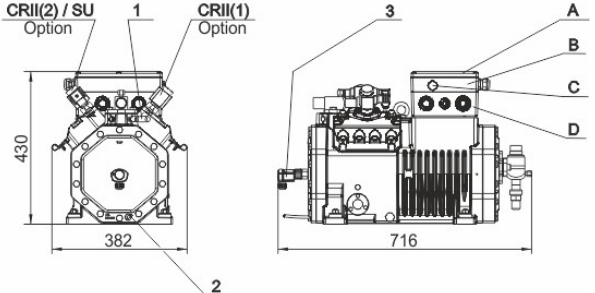
## Technical Data: CM-RC-01

### Dimensions and Connections

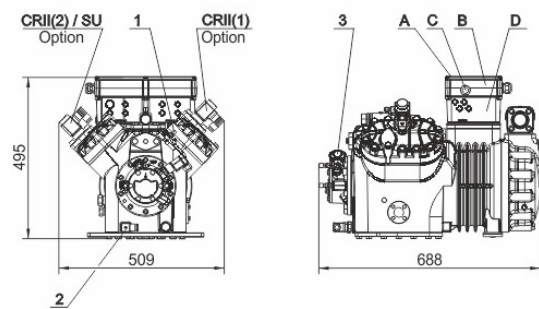
#### 4FES .. 4BES



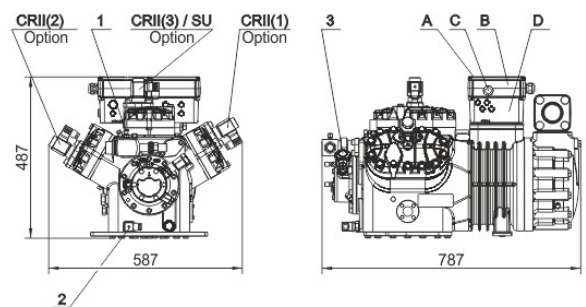
#### 4VES .. 4NES



#### 4JE .. 4FE



#### 6JE .. 6FE



### Technical Data

#### Electrical data

Operating Voltage	115V-230V +10%/-15%
Required fuse	8A @ 115V / 4A @ 230V
Enclosure class for module housing of 4VES-6 .. 6FE-50	IP65
Enclosure class for module housing of 8GE-50 .. 8FE-70	IP54
Allowable ambient temperature	-30°C / 70°C
Maximum allowable altitude	2000m
Allowable relative humidity	5%-95%

#### Extent of delivery (Standard)

Interfaces:

- Modbus RTU
- Bluetooth
- Real-time clock



*Sarma Tajhiz Saba*  
*Bitzer: 6J-33.2*  
*09128869515-09028869515*

BITZER Software v6.17.8 rev2725

23/07/1401 / All data subject to change.

10 / 10

Legend of connection positions according to "Dimensions":

- 1 Discharge gas temperature sensor
- 2 Crankcase heater
- 3 Oil level sensor (OLC-D1) / Oil pressure sensor (DP-1)
- A Terminal box cover
- B Compressor module housing
- C LED sight glass
- D Compressor terminal box